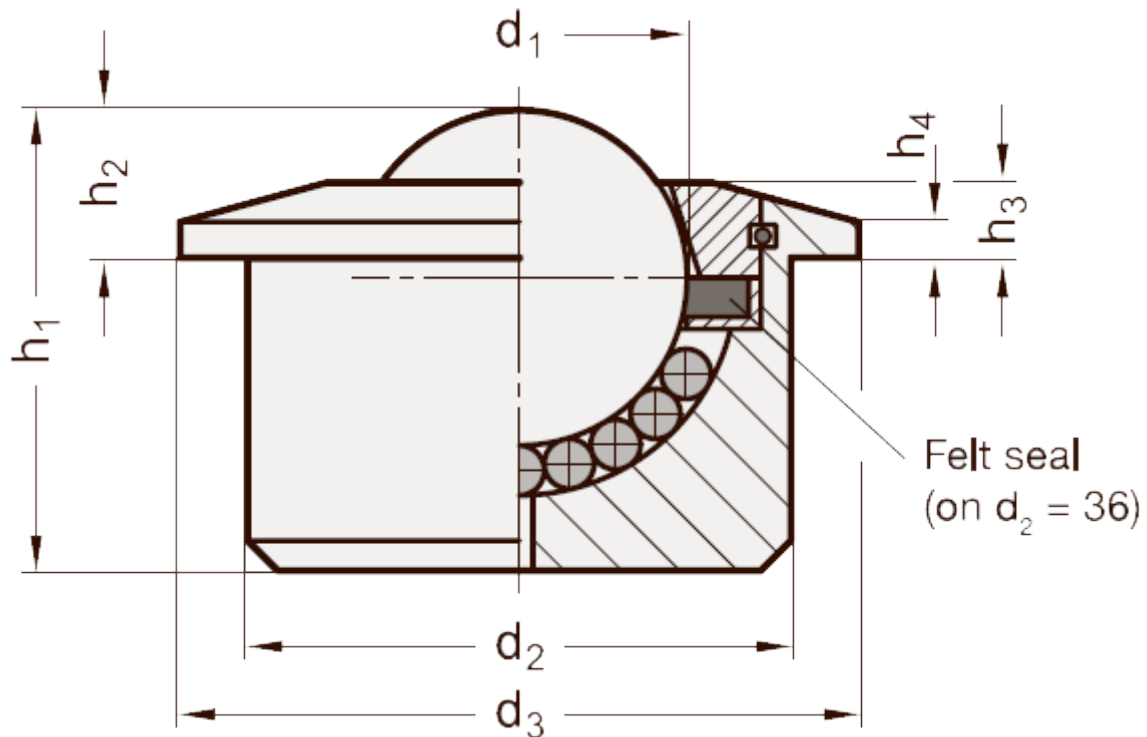


Article number: 20607044

Description: E+G Ball transfer unit
GN 509.1-60-SBL

Measures



d_1	= 60
$d_2 \pm 0.08$	= 100
d_3	= 117
$h_1 \pm 0.3$	= 77.5
$h_2 \pm 0.3$	= 30
$h_3 \pm 0.3$	= 15
h_4	= 10
Max load (N)	= 13000

Size	= 60
Weight in (g)	= 3840